



■ Features :

- For only industrial type Switching Power Supply
- Universal AC input / Full range
- Protections: Short circuit / Overload / Over voltage
- 100% full load burn-in test
- 2 years warranty

CLASS A

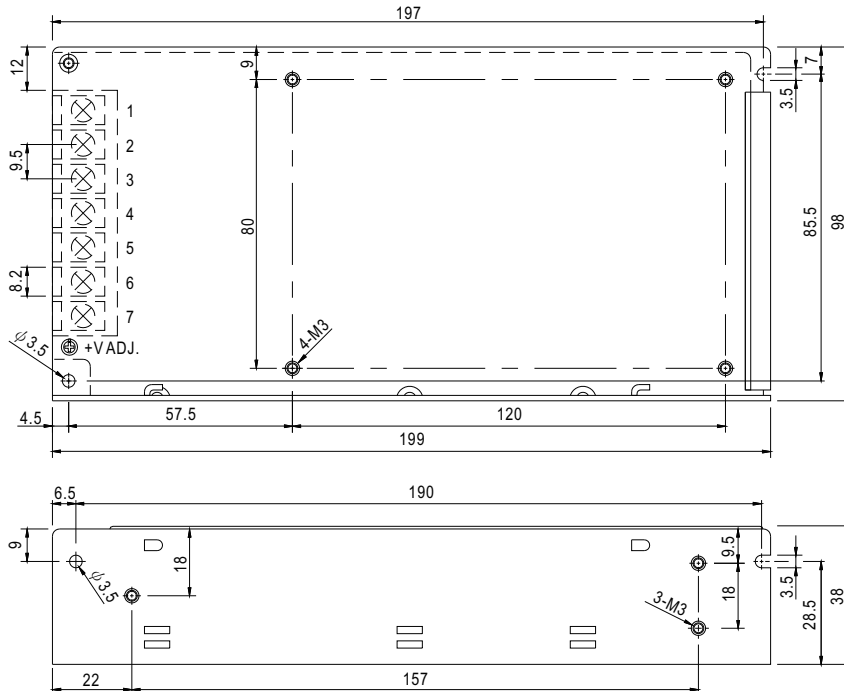
WARNING: Operation of this equipment in a residential environment could cause radio interference.

SPECIFICATION

| MODEL | INES-150-3.3 | INES-150-5 | INES-150-7.5 | INES-150-9 | INES-150-12 | INES-150-15 | INES-150-24 | INES-150-48 | | |
|---------------------|------------------------------|---|--------------------------|----------------------------------|--------------|--------------|----------------|--------------|--------------|--|
| OUTPUT | DC VOLTAGE | 3.3V | 5V | 7.5V | 9V | 12V | 15V | 24V | 48V | |
| | RATED CURRENT | 30A | 26A | 20A | 16.7A | 12.5A | 10A | 6.5A | 3.3A | |
| | CURRENT RANGE | 0 ~ 30A | 0 ~ 26A | 0 ~ 20A | 0 ~ 16.7A | 0 ~ 12.5A | 0 ~ 10A | 0 ~ 6.5A | 0 ~ 3.3A | |
| | RATED POWER | 99W | 130W | 150W | 150W | 150W | 150W | 156W | 158.4W | |
| | RIPPLE & NOISE (max.) Note.2 | 80mVp-p | 80mVp-p | 120mVp-p | 120mVp-p | 120mVp-p | 120mVp-p | 120mVp-p | 200mVp-p | |
| | VOLTAGE ADJ. RANGE | 3.2 ~ 3.5V | 4.75 ~ 5.5V | 7.13 ~ 8.3V | 8.55 ~ 9.9V | 11.4 ~ 13.5V | 14.25 ~ 16.5V | 22.8 ~ 27.6V | 45.6 ~ 52.8V | |
| | VOLTAGE TOLERANCE Note.3 | ±3.0% | ±2.0% | ±1.0% | ±1.0% | ±1.0% | ±1.0% | ±1.0% | ±1.0% | |
| | LINE REGULATION Note.4 | ±0.5% | ±0.5% | ±0.5% | ±0.5% | ±0.5% | ±0.5% | ±0.5% | ±0.5% | |
| | LOAD REGULATION Note.5 | ±2.0% | ±1.0% | ±0.5% | ±0.5% | ±0.5% | ±0.5% | ±0.5% | ±0.5% | |
| | SETUP, RISE TIME Note.8 | 800ms, 20ms/230VAC | | 1200ms, 30ms/115VAC at full load | | | | | | |
| HOLD UP TIME (Typ.) | 24ms/230VAC | | 20ms/115VAC at full load | | | | | | | |
| INPUT | VOLTAGE RANGE | 90 ~ 132VAC / 180 ~ 264VAC selected by switch | | | | 254 ~ 373VDC | | | | |
| | FREQUENCY RANGE | 47 ~ 63Hz | | | | | | | | |
| | EFFICIENCY (Typ.) | 73% | 78% | 80% | 83% | 83% | 83% | 86% | 86% | |
| | AC CURRENT (Typ.) | 3A/115VAC | | 2A/230VAC | | | | | | |
| | INRUSH CURRENT (Typ.) | COLD START 45A/230VAC | | | | | | | | |
| | LEAKAGE CURRENT | <2mA / 240VAC | | | | | | | | |
| PROTECTION | OVERLOAD | 110 ~ 150% rated output power Protection type : Hiccup mode, recovers automatically after fault condition is removed | | | | | | | | |
| | OVER VOLTAGE | 3.8 ~ 4.65V | 5.75 ~ 6.75V | 8.6 ~ 10.1V | 10.4 ~ 12.2V | 13.8 ~ 16.2V | 17.25 ~ 20.25V | 27.6 ~ 32.4V | 55.2 ~ 64.8V | |
| ENVIRONMENT | WORKING TEMP. | -20 ~ +60°C (Refer to output load derating curve) | | | | | | | | |
| | WORKING HUMIDITY | 20 ~ 90% RH non-condensing | | | | | | | | |
| | STORAGE TEMP., HUMIDITY | -40 ~ +85°C, 10 ~ 95% RH | | | | | | | | |
| | TEMP. COEFFICIENT | ±0.03%/°C (0 ~ 50°C) | | | | | | | | |
| | VIBRATION | 10 ~ 500Hz, 2G 10min./1cycle, period for 60min. each along X, Y, Z axes | | | | | | | | |
| OTHERS | MTBF | 433.3Khrs min. MIL-HDBK-217F (25°C) | | | | | | | | |
| | DIMENSION | 199*98*38mm (L*W*H) | | | | | | | | |
| | PACKING | 0.7Kg; 20pcs/15Kg/0.72CUFT | | | | | | | | |

Mechanical Specification

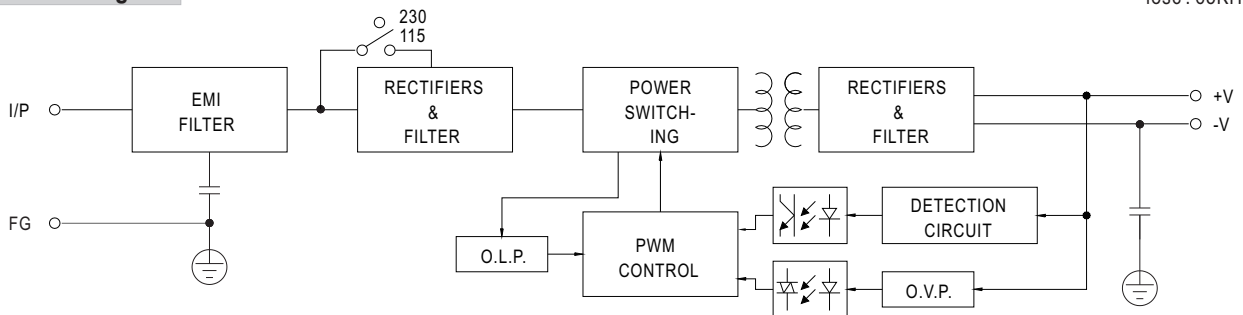
Case No. 902 Unit:mm



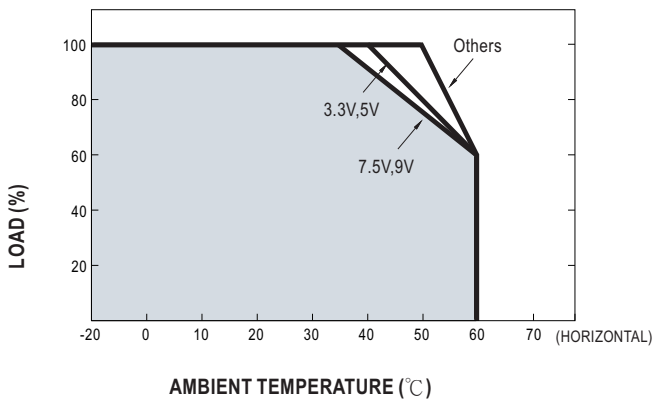
Terminal Pin No. Assignment

| Pin No. | Assignment | Pin No. | Assignment |
|---------|------------|---------|--------------|
| 1 | AC/L | 4,5 | DC OUTPUT -V |
| 2 | AC/N | 6,7 | DC OUTPUT +V |
| 3 | FG \perp | | |

Block Diagram



Derating Curve



Static Characteristics

